

DW2-IP67 Series Micro Switches (WATERPROOF)

herga

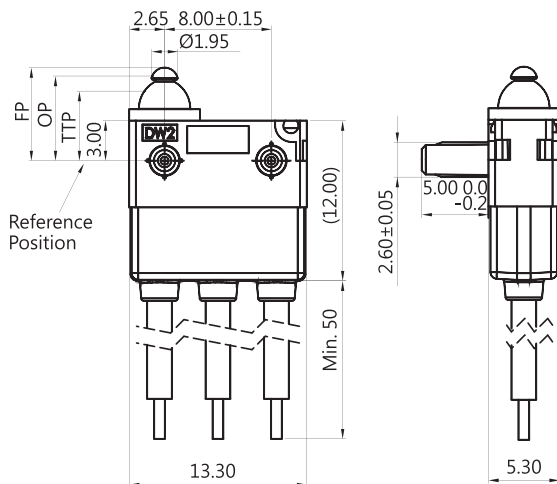
Technology Ltd

- High quality micro switches for a wide range of applications
- Excellent performance, high reliability and long service life
- UL/cUL and ENEC certification
- Applications - Automotive (Seat Belt, Door Latch, Engine Hood, Door Trunk), Air Conditioner, Communication, Security System, Electric Tooth Brush, Toy



Reference dimensions mm

Unless otherwise specified, a tolerance of $\pm 0.4\text{mm}$ applies to all dimensions.



Certification information

Model Name	UL - cUL	ENEC
DW2-03	0.1RA 3RA 12VDC μ T55 1E5 3RA 24VDC μ T55 5E4 0.1A 3RA 125/250VAC μ T55 1E4	0.1A 3A 12VDC μ T55 1E5 3A 24VDC μ T55 5E4 0.1A 3A 125/250VAC μ T55 1E4
DW2-G3	0.1RA 3RA 12VDC μ T55 1E5 3RA 24VDC μ T55 5E4 0.1RA 3RA 125/250VAC μ T55 1E4	0.1A 3A 12VDC μ T55 1E5 3A 24VDC μ T55 5E4 0.1A 3A 125/250VAC μ T55 1E4

Ordering information

DW2 - 03 H - 01 A 0 A - E A 001 - Z

SERIES PREFIX	RATING CURRENT	OPERATING FORCE	ACTUATOR TYPE	TERMINAL TYPE	CIRCUIT ARRANGEMENT	PILLAR TYPE	PILLAR TYPE	AWG TYPE	UL NUMBER	SERIAL CODE	ROHS CODE
G3	3A 125/250VAC (Contact Plated Gold)	S STANDARD H HEAVY	00 01 A01	A	0 S.P.D.T 1 S.P.S.T.NO 2 S.P.S.T.NC	A B C D	A	E 20 F 22 G 24 H 26	A UL 1007 C UL 1430 D UL 1061	0 R L	Z

DIMENSIONS | FOR B TYPE C TYPE D TYPE

CODE	L1	H	ØA	ØB	ØC	ØD	P
A	5.0	3.0	2.2	2.6	2.2	2.6	8.00
B	2.0	3.0	2.2	2.6	2.2	2.6	8.00
C	4.0	3.0	2.2	2.6	2.2	2.6	8.00
D	0.7	3.0	2.5	N/A	2.5	N/A	8.00

DIMENSIONS | FOR F TYPE

CODE	L1	H1	H2	ØA	ØB	P
F	1.5	3.0	3.1	3.0	3.3	13.00

